

Adventure World Playsets™

THE WAY TO PLAY.™

Catalog Vol. 25



THANK YOU FOR YOUR INTEREST IN

Adventure World Playsets

OUR VISION

To be the premier playset crafter today and tomorrow.

OUR MISSION

To act with integrity in all we do to create the safest play and best entertainment experiences that grown-ups trust and children love.

OUR PURPOSE

To create unforgettable childhood memories.



Our swing sets are proudly manufactured in the USA.



CONTENT

<i>Thank You!</i>	<i>Inside Front Cover</i>
<i>Our Guarantee/Warranty</i>	<i>2</i>
<i>Safety and Quality Features</i>	<i>3-5</i>
<i>Package Overview</i>	<i>6-7</i>
<i>Our Packages</i>	<i>8-33</i>
<i>Just for Grown-ups (Seating)</i>	<i>34-35</i>
<i>Design Your Playset Online</i>	<i>36</i>
 <i>Customize Your Playset:</i>	
<i>STEP 1 - Choose Your Tower Unit</i>	<i>37-39</i>
<i>STEP 2 - Choose Your Colors</i>	<i>40-41</i>
<i>STEP 3 - Choose Your Roof</i>	<i>42-43</i>
<i>STEP 4 - Choose Your Accesses</i>	<i>44-45</i>
<i>STEP 5 - Choose Your Connectors</i>	<i>46-47</i>
<i>STEP 6 - Choose Your Swing Beam</i>	<i>48-49</i>
<i>STEP 7 - Choose Your Swings</i>	<i>50-51</i>
<i>STEP 8 - Choose Your Slides</i>	<i>52-53</i>
<i>STEP 9 - Choose Your Accessories</i>	<i>54-55</i>
 <i>Choose Your Free Item</i>	 <i>55</i>
<i>Rubber Mulch, Mats & Curbing</i>	<i>56-57</i>
<i>Frequently Asked Questions</i>	<i>58</i>
<i>Our Customers</i>	<i>59</i>
<i>Parts Dimensions</i>	<i>60-61</i>
<i>Sales Coverage Area</i>	<i>Outside Back Cover</i>



OUR GUARANTEE/WARRANTY

As parents ourselves, we wanted a warranty that is simple, easy to understand, and protects the purchaser. We felt our warranty should reflect our confidence in the high-quality swing sets that we offer. That is why we came up with our industry leading warranty.



Warranty protection from date of original purchase.

Residential warranty only

1 YEAR

No questions asked! If anything on your swing set breaks, fades, or affects the integrity of the swing set, we will send a crew (within 200 miles of any of our warehouses) to fix the issue. The only exception is willful damage, normal wear and tear, or an act of God.

5 YEAR

Your swings, slides and accessories are guaranteed against manufacturer defects. We will send the part to the closest dealer in your area. If you don't live close to a dealer, pay for the shipping, and the part will arrive at your house.

20 YEAR

Your swing set frame comes with a solid guarantee against manufacturer defects, providing you with peace of mind. We will send the part to your closest dealer. If you don't live close to a dealer, pay for the shipping, and the part will arrive at your house.

2

If you are located farther than 200 miles from our closest warehouse, we will ship the part to the closest dealer or directly to your house.

THE SAFE WAY TO PLAY

Adventure World Playsets are made in the USA and constructed following the highest standards. The following quality and safety features are standard at no extra cost on all of our playsets.

Vinyl covering means children can hold tight without getting splinters!

SAFETY

- Vinyl creates a safe, smooth surface that is splinter-free without surface cracks or knotty appearance.
- Entrance ladders come standard with non-slip steps and safety rails.
- Rubber-coated swing chains provide a soft, pinch-free grip.
- Wood-grain texture on decking and rock walls increases traction.
- No shortcuts by using exposed wood on decking underside that risks splinters and cuts from cracks in wood; our playsets feature vinyl covering throughout.
- Heavy-duty swing hangers feature spring clip for easy height adjustment and swing change.
- Two ground anchors included with each swing beam.

QUALITY

- Use of pressure-treated lumber (rather than untreated wood which is susceptible to rotting in a few years) covered with vinyl combines the strength of wood with the easy care of vinyl.
- Vinyl covering also resists wood boring insects and bees.
- Use of heavy-duty walled vinyl adds strength, is fade resistant and is easy to clean; occasional rinsing is all you need to keep your playset looking great.
- Powder-coated brackets resist peeling and rusting.
- Stainless steel bolts and chains will not rust.
- Heavy-duty corner construction is through-bolted with two steel angles; we do not use wood lags, which connect by being driven only halfway into the beams.
- Long-lasting poly-lumber roofs – instead of canvas – resist high winds.
- Durable structural parts and sturdy construction create stable playsets that won't tip in high winds or as children swing.

THE ACTIVE WAY TO PLAY



According to the Centers for Disease Control and Prevention, children should aim for one hour or more of physical activity per day. Playing on playsets gets kids' hearts pumping and strengthens muscles and bones.

LET THE ADVENTURE BEGIN!

Stainless Steel Bolts Throughout



Will not rust

Heavy-Duty Corner Construction



Through bolted with two steel angles

Long-Lasting Poly Lumber Roof



Resists high winds

Stainless Steel Heavy-Duty Swing Hangers



With spring clip for easy height adjustment and swing change

Stainless Steel Chains



Resists rusting

Powder-Coated Brackets



Resists peeling and rusting

Tube Slide



Heavy-duty with stainless steel hardware

Safety Rails



Included on all entrance ladders

Entrance Ladder



Features non-slip steps

Underside of Our Decking



No exposed wood

Decking and Rock Wall



Feature wood-grain texture for increased traction

Two Ground Anchors

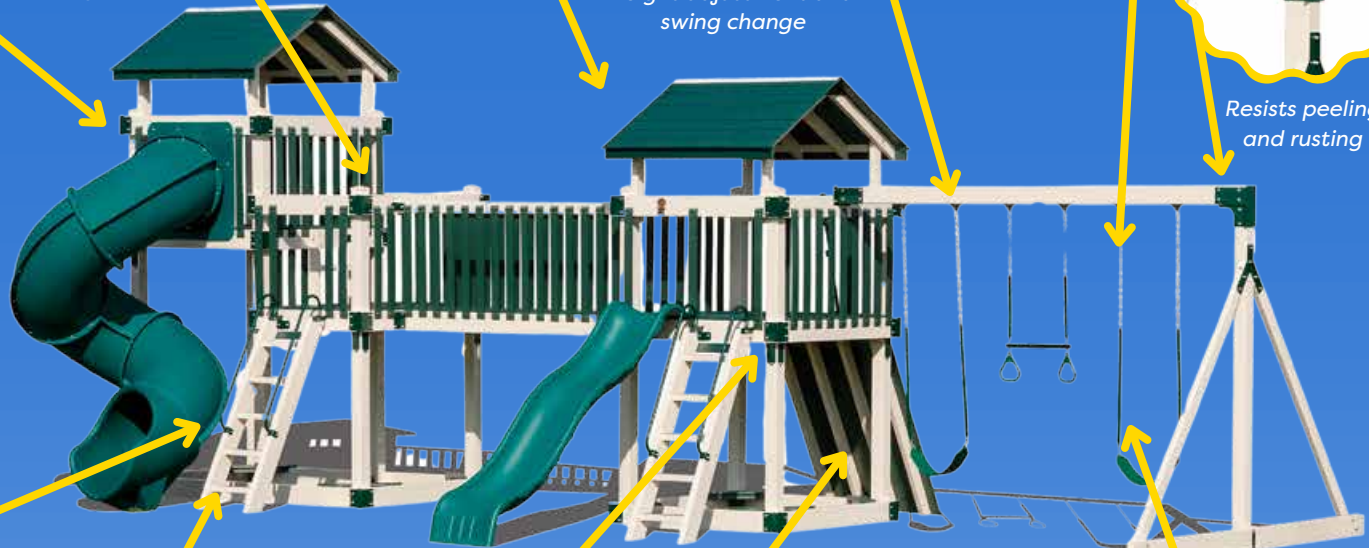


Included with each swing beam

Rubber-Coated Swing Chain



For a soft, pinch-free grip



PACKAGE OVERVIEW

*A quick look at all our sets.
There's something here for
everyone!*

Adventure Gym



#A-3 p.8

Busy Basecamp



#B44-6 p.9



#B46-9 p.10



#B55-1 p.11

Discovery Depot



#D48-1 p.15



#D48-3 p.16



#B55-4 p.12



#B55-7 p.13



#B66-2 p.14

Fantasy Fortress



#D48-9 p.17



#D510-6 p.18



#F514-4 p.20



#F514-6 p.21



#F514-8 p.22



#D68-8 p.19

➤ Frolic Zone



#FA33-2 p.23



#FA33-7 p.23



➤ Giggle Junction



#GA44-6 p.24

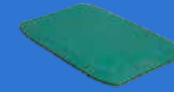


#GA55-2 p.25

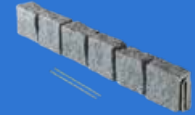
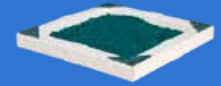


#GA55-6 p.25

➤ Rubber Mats, Mulch & Curbing



p. 56-57



➤ Happy Hideout



#H68-2 p.26



#H68-7 p.27



#H68-9 p.28



#H68-10 p.29

➤ Imagination Station



#IH68-3 p.30-31

➤ Jolly Jamboree



#J88-1 p.32-33

➤ Just for Grown-Ups



Love Seat
p.34

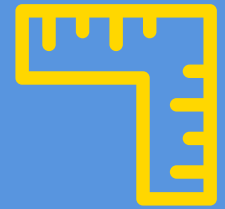


Picnic Table
p.34



Park Bench
p.34

BUILD YOUR ADVENTURE



OUR PACKAGES

On the following pages, you'll find photos and dimensions of each tower as part of pre-created packages. Packages reflect each available tower size – single, double and triple towers with single or multiple level decks of varying dimensions.

CUSTOMIZE YOUR PLAYSET

Packages are available as is, or can be used to get ideas for a completely customized playset. Customize your playset by beginning with Step 1 "Choose Your Tower Unit" on page 37, where you'll find the details of all tower options and available deck dimensions for each tower type.

ADVENTURE GYM

Augmented
reality of the
playset



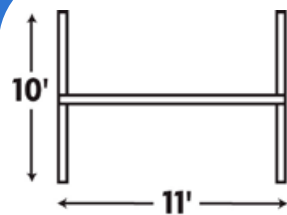
A freestanding swing beam

PACKAGE INCLUDES

- 8' High 3-Position Single Beam
- End Post for Free Standing
- 2 Belt Swings
- Trapeze

PACKAGE #A-3

Recommended area for proper installation:22' x 23'
Recommended border:90'
Recommended mulch:2 tons
Weed guard:506 sq. ft.
Height:8'



For safety, add a 6' play area around the perimeter of the play set.



A great starter playset to get their imaginations going!



Watch as friendships flourish, laughter echoes, and memories are etched in the heart of your Busy Basecamp.

 **BEST SELLER**

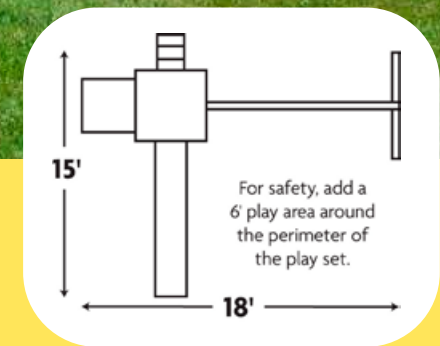
BUSY BASECAMP

PACKAGE INCLUDES

- Tower: 4' x 4' 5' Deck Height
- 4' x 4' Vinyl Roof
- 5' Entrance Ladder
- 5' Rock Wall
- 8' High 3-Position Single Beam
- 2 Belt Swings
- Trapeze
- 5' Wonder Wave Slide
- 2 Anchors on the A-Frame

#B44-6

Recommended area for proper installation:27' x 30'
 Recommended border:114'
 Recommended mulch:3 tons
 Weed guard:810 sq. ft.
 Height:10.5'



Augmented reality of the playset



BUSY BASECAMP

#B46-9

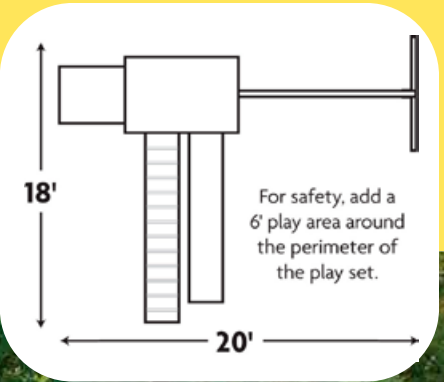
Augmented reality of the playset



PACKAGE INCLUDES

- Tower: 4' x 6'
- 5' Deck Height
- 4' x 6' Vinyl Roof
- 5' Rock Wall
- Gangplank
- 8' High 3-Position Single Beam
- 2 Belt Swings
- Trapeze
- 5' Wonder Wave Slide
- 2 Anchors on the A-Frame

Recommended area for proper installation:30' x 32'
 Recommended border:124'
 Recommended mulch:3.5 tons
 Weed guard:960 sq. ft.
 Height:10.5'





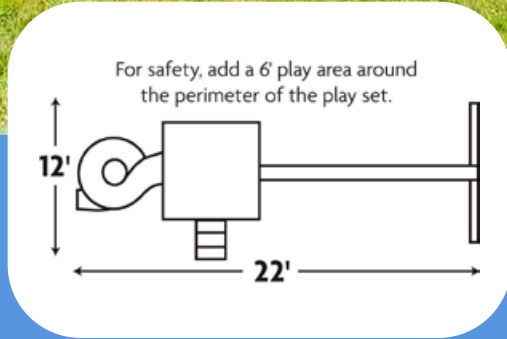
BUSY BASECAMP

PACKAGE INCLUDES

- Tower: 5' x 5'
5' Deck Height
- 5' x 5' Vinyl Roof
- 5' Entrance Ladder
- 8' High 3-Position Single Beam
- 2 Belt Swings
- Trapeze
- 7' Twisty Turbo Slide
- Step & Slide Adapter
- 2 Anchors on the A-Frame

#B55-1

Recommended area for proper installation:34' x 24'
 Recommended border:116'
 Recommended mulch:3 tons
 Weed guard:816 sq. ft.
 Height:11.5'



BUSY BASECAMP

#B55-4

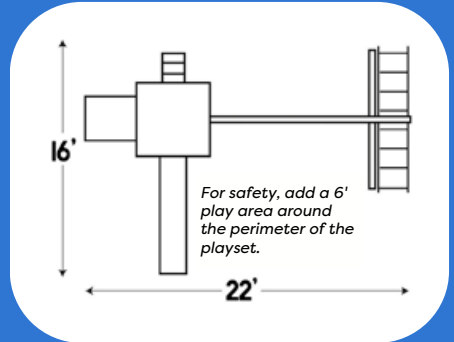
Augmented reality of the playset



PACKAGE INCLUDES

- Tower 5' x 5'
- 5' Deck Height
- 5'x 5' Vinyl Roof
- 5' Entrance Ladder
- 5' Rock Wall
- 8' High 3-Position Single Beam
- Space Saver Monkey Bar
- 2 Belt Swings
- Trapeze
- 5' Wonder Wave Slide
- 2 Anchors on the A-Frame

Recommended area for proper installation:.....34' x 28'
 Recommended border:.....124'
 Recommended mulch:.....3.5 tons
 Weed guard:.....952 sq. ft.
 Height.....11.5'



Where playtime meets adventure: Busy Basecamp—short, sweet, and full of fun! ➤

BUSY BASECAMP

#B55-7

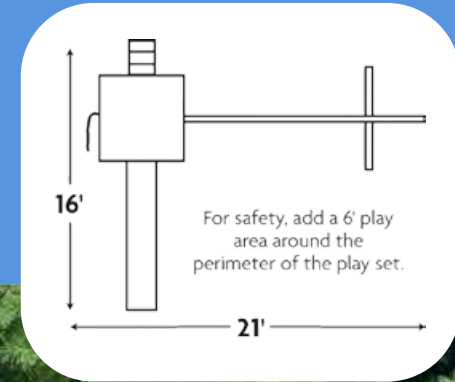
Augmented
reality of the
playset



PACKAGE INCLUDES

- Tower: 5' x 5'
- 5' Deck Height
- Longer Post to Attach High Beam
- 5' x 5' Vinyl Roof
- 5' Entrance Ladder
- 10' High 4-Position Single Beam
- 2 Belt Swings
- Full Bucket Baby Swing
- Hammock Swing
- 5' Wonder Wave Slide
- Fireman's Pole
- 2 Anchors on the A-Frame

Recommended area for
proper installation:33' x 28'
Recommended border: 122'
Recommended mulch: 3.5 tons
Weed guard:924 sq. ft.
Height:11.5'



BUSY BASECAMP

PACKAGE INCLUDES

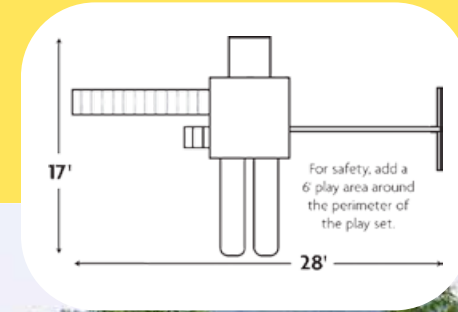
- Tower: 6' x 6'
- 5' Deck Height
- 6' x 6' Vinyl Roof
- 5' Entrance Ladder
- 5' Rock Wall
- Gangplank
- 8' High 3-Position Single Beam
- 2 Belt Swings
- Trapeze
- (2) 5' Wonder Wave Slides
- 2 Anchors on the A-Frame

#B66-2

Augmented
reality of the
playset



Recommended area for
proper installation: 40' x 29'
Recommended border: 138'
Recommended mulch: 4 tons
Weed guard: 1,160 sq. ft.
Height: 11'



Package includes
a 5' Rock Wall
on
back of set



DISCOVERY DEPOT

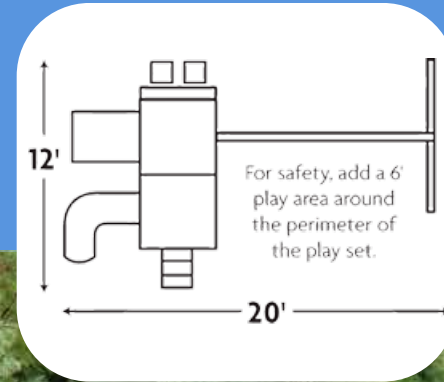
#D48-1

PACKAGE INCLUDES

- Tower: 4' x 8' Split Level
- 3' & 5' Deck Heights
- 4' x 4' Vinyl Roof
- 3' Entrance Ladder
- 5' Rock Wall
- 8' High 3-Position Single Beam
- 2 Belt Swings
- Full Bucket Baby Swing
- 3' Super Spiral Slide
- Lemonade Stand
- 2 Anchors on the A-Frame

Recommended area for proper installation:32' x 24'
Recommended border:112'
Recommended mulch:3 tons
Weed guard:768 sq. ft.
Height:10.5'

Augmented reality of the playset



Discover what's on the other side of the playset



Discover an extra level to get little legs *climbing and soaring*.

This package features an upgraded 10' high swing beam!

Each Discovery Depot playset features two levels of decking.



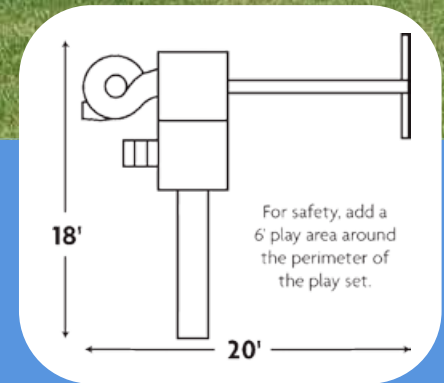
DISCOVERY DEPOT

#D48-3

PACKAGE INCLUDES

- Tower: 4' x 8' Split Level
- 5' & 7' Deck Heights
- 4' x 4' Vinyl Roof
- 5' Entrance Ladder
- 10' High 3-Position Single Beam
- 2 Belt Swings
- Trapeze
- 5' Wonder Wave Slide
- 7' Twisty Turbo Slide
- 2 Anchors on the A-Frame

Recommended area for proper installation:32' x 30'
 Recommended border:124'
 Recommended mulch:3.5 tons
 Weed guard:960 sq. ft.
 Height:12.5'



16



DISCOVERY DEPOT #D48-9

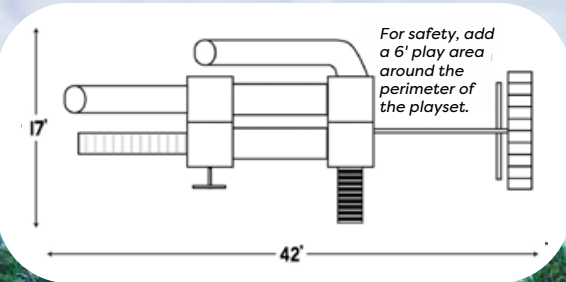
Augmented reality of the playset



PACKAGE INCLUDES

- 2 Towers 4' x 8' Split Level 5' & 7' Deck Heights
- (2) 4' x 4' Vinyl Roofs
- Grand Entrance Ladder
- Grand Gangplank
- Tree Climber
- Wobbly Bridge
- Bridge
- 8' High 3-Position Single Beam
- Space Saver Monkey Bars
- 2 Belt Swings
- Trapeze
- 7' Sidewinder Slide
- 7' Tunnel Express Slide
- 2 Anchors on the A-Frame

Recommended area for proper installation:54' x 29'
 Recommended border:166'
 Recommended mulch:.....5.5 tons
 Weed guard:1,566 sq. ft.
 Height:12.5'



Discover what's on the other side of the playset



DISCOVERY DEPOT

#D510-6

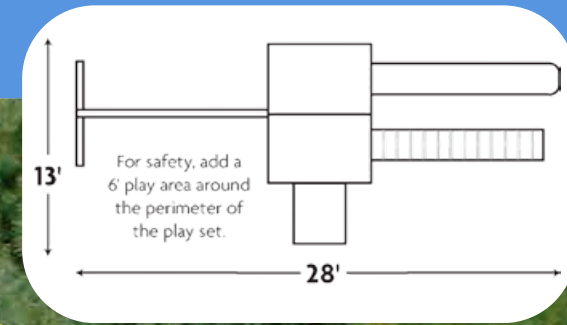


PACKAGE INCLUDES

- Tower: 5' x 10' Split Level
- 5' & 7' Deck Heights
- (2) 5' x 5' Vinyl Roofs
- 5' Rock Wall
- 8' High 3-Position Single Beam
- Gangplank
- 2 Belt Swings
- Trapeze
- 7' Extreme Ripple Rush Slide
- 2 Anchors on the A-Frame

Recommended area for proper installation: 40' x 25'
Recommended border:130'
Recommended mulch:3.5 tons
Weed guard:1000 sq. ft.
Height:13'

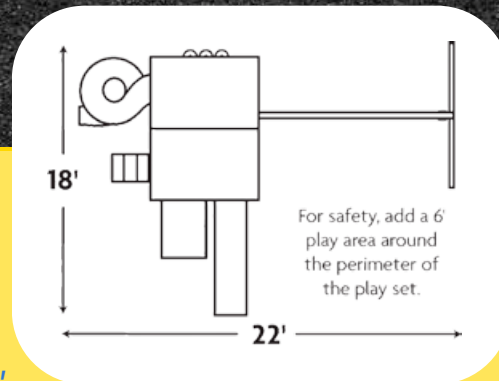
Augmented reality of the playset



Package includes a
Tic-Tac-Toe Panel
on back of set.



BEST SELLER



DISCOVERY DEPOT

PACKAGE INCLUDES

- Tower: 6' x 8' Split Level
- 5' & 7' Deck Heights
- 4' x 6' Vinyl Roof
- 5' Entrance Ladder
- 5' Rock Wall
- 10' High 3-Position Single Beam
- 2 Belt Swings
- Trapeze
- 5' Wonder Wave Slide
- 7' Twisty Turbo Slide
- Tic-Tac-Toe Panel
- 2 Anchors on the A-Frame

#D68-8

Recommended area for proper installation:34' x 30'
Recommended border:128'
Recommended mulch:3.5 tons
Weed guard:1020 sq. ft.
Height:12.5'



FANTASY FORTRESS

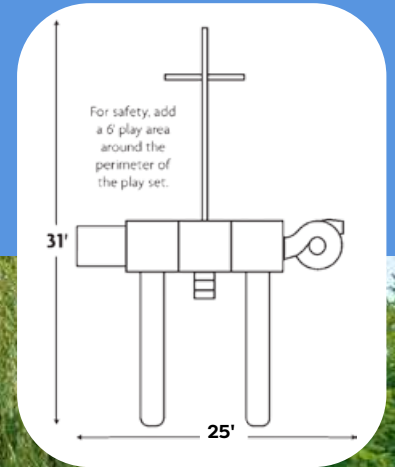
#F514-4

PACKAGE INCLUDES

- Tower: 5' x 14' Split Level
- 5' & 7' Deck Heights
- (2) 5' x 5' Vinyl Roofs
- 5' Entrance Ladder
- 7' Rock Wall
- 8' High 4-Position Single Beam
- 2 Belt Swings
- Trapeze
- High Back Baby Swing
- (2) 7' Extreme Ripple Rush Slides
- 7' Twisty Turbo Slide

Recommended area for proper installation:43' x 37'
Recommended border:160'
Recommended mulch:5.5 tons
Weed guard:1,591 sq. ft.
Height:12.5'

Augmented reality of the playset



Take imaginative play to another level - *three levels, that is!*



Discover what's on the other side of the playset.



Each Fantasy Fortress playset features three levels of decking.



Package includes a 7' Rock Wall and Fireman's Pole on back of set.

Discover what's on the other side of the playset.



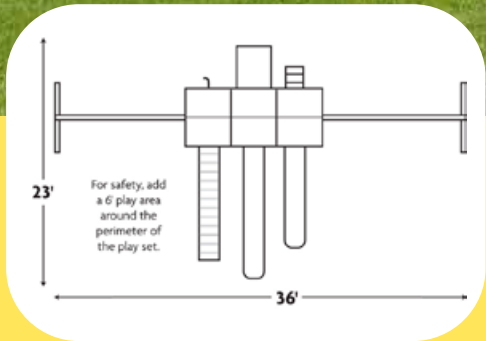
FANTASY FORTRESS

#F514-6

PACKAGE INCLUDES

- Tower: 5' x 14'
- Split Level 5' & 7' Deck Heights
- (3) 5' x 5' Vinyl Roofs
- 5' Entrance Ladder
- 7' Rock Wall
- Gangplank
- (2) 8' High 3-Position Single Beams
- 3 Belt Swings
- Trapeze
- Ball
- High Back Baby Swing
- 5' Ripple Rush Slide
- 7' Extreme Ripple Rush Slide
- Fireman's Pole
- 2 Anchors on the A-Frame

Recommended area for proper installation:48' x 35'
 Recommended border:166'
 Recommended mulch:6 tons
 Weed guard:1,680 sq. ft.
 Height:13'



FANTASY FORTRESS

#F514-8

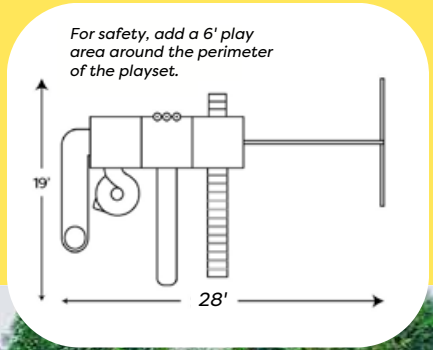
Augmented reality of the playset



PACKAGE INCLUDES

- Tower 5' x 14' Split Level 5', 7' & 9' Deck Heights
- (3) 5' x 5' Vinyl Roofs
- 5' Entrance Ladder
- Gangplank
- 8' High 3-Position Single Beam
- 2 Belt Swings
- Trapeze
- 7' Extreme Ripple Rush Slide
- 9' Twisty Turbo Slide
- 9' Sidewinder Slide
- Tic-Tac-Toe Panel
- 2 Anchors on the A-Frame

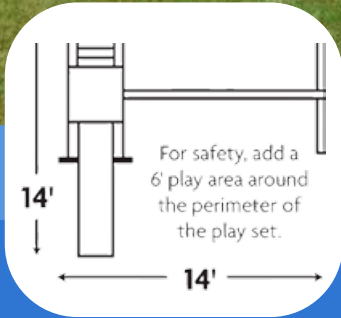
Recommended area for proper installation:31' x 40'
 Recommended border:142'
 Recommended mulch:4 tons
 Weed guard:1,240 sq. ft.
 Height:16'



Package includes a Tic-Tac-Toe Panel on back of set.



Compact, yet has plenty of room for fun and games. Your kids can frolic and play for hours!



FROLIC ZONE

PACKAGE INCLUDES

- Tower: 3' x 3' A-frame
- 5' Deck Height
- 5' Entrance Ladder
- 8' High 3-Position Single Beam
- 2 Belt Swings
- Trapeze
- 5' Wonder Wave Slide
- 2 Anchors on the A-frame

#FA33-2

Recommended area for proper installation:26' x 26'
 Recommended border:104'
 Recommended mulch:2.5 tons
 Weed guard:676 sq. ft.
 Height:8'

Augmented reality of the playset



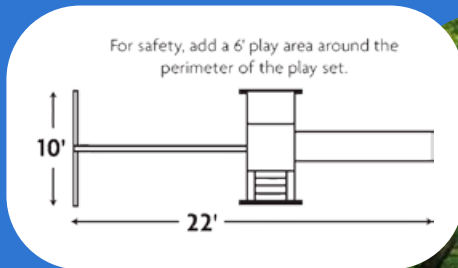
Each Frolic Zone playset features 3'x3' 5' high deck.

#FA33-7

PACKAGE INCLUDES

- Tower: 3' x 3' A-Frame
- 5' Deck Height
- 3' x 3' Vinyl Roof
- 5' Entrance Ladder
- 5' Small Rock Wall
- 8' High 3-Position Single Beam
- 2 Belt Swings
- Trapeze
- 5' Wonder Wave Slide
- 2 Anchors on the A-Frame

Recommended area for proper installation:22' x 34'
 Recommended border:112'
 Recommended mulch:2.5 tons
 Weed guard:748 sq. ft.
 Height:10'



GIGGLE JUNCTION

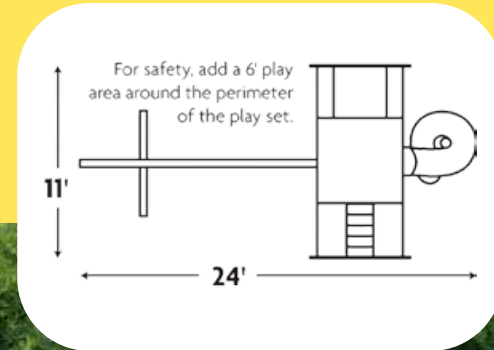
#GA44-6

PACKAGE INCLUDES

- Tower: 4' x 4' A-Frame
- 5' Deck Height
- 4' x 4' Vinyl Roof
- 5' Entrance Ladder
- 5' Rock Wall
- 8' High 4-Position Single Beam
- 2 Belt Swings
- Trapeze
- 4 Chain Rubber Tire Swing
- 5' Super Spiral Slide
- 2 Anchors on the A-Frame

Recommended area for proper installation:36' x 23'
Recommended border:118'
Recommended mulch:3 tons
Weed guard:828 sq. ft.
Height:10.5'

Augmented reality of the playset



A simple solution for inviting fun and **laughter** into your backyard.

Each Giggle Junction playset features an A-Frame with a 5' Deck.





Package includes a 5-foot rock wall on the back of the set.

GIGGLE JUNCTION

PACKAGE INCLUDES

- Tower: 5' x 5' A-Frame
- 5' Deck Height
- 5' x 5' Vinyl Roof
- 5' Entrance Ladder
- 5' Rock Wall
- 2-Position Accessory Arm
- 2 Belt Swings
- 3 Chain Plastic Tire Swing
- 5' Wonder Wave Slide

#GA55-2

Recommended area for proper installation:28' x 24'
 Recommended border:104'
 Recommended mulch:2.5 tons
 Weed guard:672 sq. ft.
 Height:11'

Augmented reality of the playset



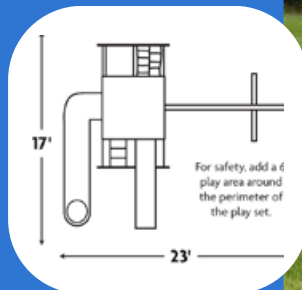
PACKAGE INCLUDES

- Tower: 5' x 5' A-Frame
- 5' Deck Height
- 5' x 5' Vinyl Roof
- 5' Entrance Ladder
- 5' Small Rock Wall
- 5' Small Chain Ladder
- 8' High 4-Position Single Beam
- 2 Belt Swings
- High Back Baby Swing
- Hammock Swing
- 5' Wonder Wave Slide
- 5' Sidewinder Slide
- 2 Anchors on the A-Frame

Package includes a small rock wall and a small chain ladder on the back of the set.

#GA55-6

Recommended area for proper installation:35' x 29'
 Recommended border:128'
 Recommended mulch:3.5 tons
 Weed guard:1,015 sq. ft.
 Height:11'



HAPPY HIDEOUT

#H68-2

PACKAGE INCLUDES

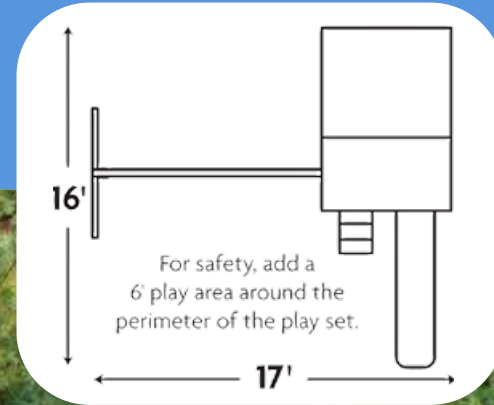
- Tower: 6' x 5'
- Playhouse on 6' x 8' Deck
- 5' Deck Height
- 5' Entrance Ladder
- 8' High 3-Position Single Beam
- 2 Belt Swings
- Trapeze
- 5' Ripple Rush Slide
- 2 Anchors on the A-Frame

Recommended area for proper installation:29' x 28'
Recommended border:114'
Recommended mulch:3 tons
Weed guard:812 sq. ft.
Height:12'

Augmented reality of the playset



A quiet place for kids to make-believe, or a space to scream and shout with friends - **no grown-ups allowed!**



 **BEST SELLER**

Each Happy Hideout playset features a playhouse on a 5' high deck.



Discover our shutters with flower boxes!





Discover what's on the other side of the playset.

Let the Happy Hideout be your child's haven of happiness and fun! ➔

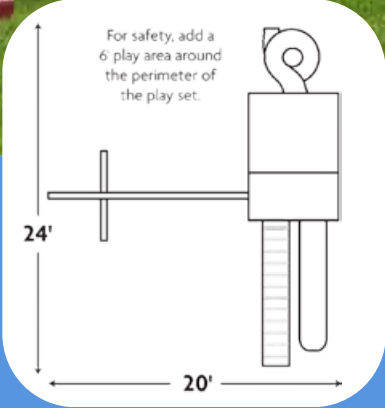
HAPPY HIDEOUT

PACKAGE INCLUDES

- Tower: 6' x 5' Playhouse on 6' x 8' Deck
- 5' Deck Height
- Gangplank
- 8' High 4-Position Single Beam
- 2 Belt Swings
- Trapeze
- Plastic Glider with Single Beam Adapter
- 5' Ripple Rush Slide
- 7' Twisty Turbo Slide
- Step and Slide Adapter
- 2 Anchors on the A-Frame

#H68-7

Recommended area for proper installation:36' x 32'
 Recommended border:136'
 Recommended mulch:4 tons
 Weed guard:1,152 sq. ft.
 Height:12'



HAPPY HIDEOUT

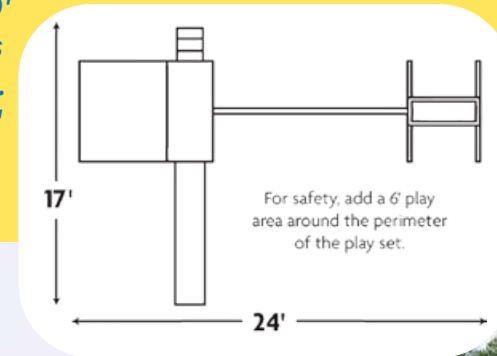
PACKAGE INCLUDES

- Tower: 6' x 5' Playhouse on 6' x 8' Deck
- 5' Deck Height
- 5' Entrance Ladder
- 8' High 3-Position Single Beam
- 2 Belt Swings
- Full Bucket Baby Swing
- Easy Rider Glider
- 5' Wonder Wave Slide
- Tic-Tac-Toe Panel
- 2 Anchors on the A-Frame

#H68-9

Recommended area for proper installation:36' x 29'
Recommended border:130'
Recommended mulch:3.5 tons
Weed guard:1,044 sq. ft.
Height:12'

Augmented reality of the playset





This playhouse is available in Almond, White, and Gray.

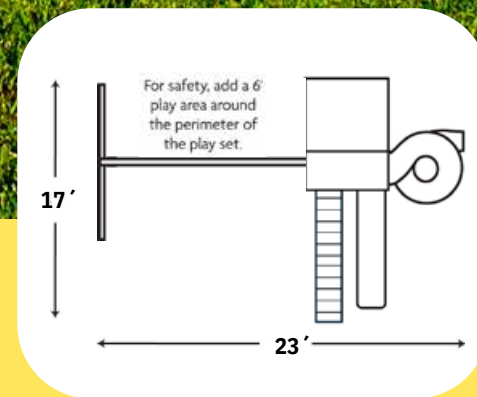
HAPPY HIDEOUT

#H68-10

PACKAGE INCLUDES

- Tower: 6' x 5' Playhouse on 6' x 8' Deck
- 5' Deck Height
- Gangplank
- 2 Belt Swings
- 10' High 3-Position Single Beam
- Trapeze
- 5' Wonder Wave Slide
- 7' Twisty Turbo Slide
- 2 Anchors on the A-Frame

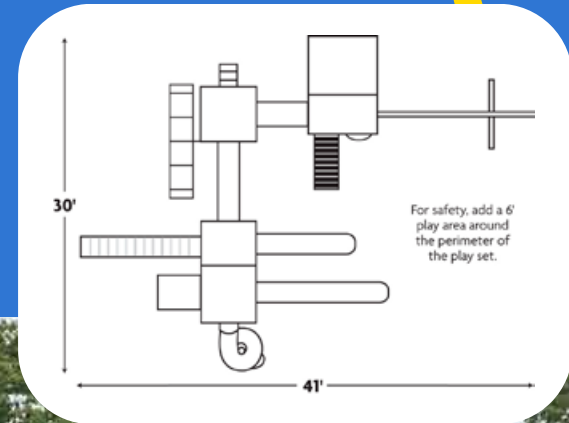
Recommended area for proper installation:.....29' x 35'
 Recommended border:.....128'
 Recommended mulch:.....3.5 tons
 Weed guard:.....1,015 sq ft.
 Height:.....12.5'



IMAGINATION STATION #IH68-3

Recommended area for proper installation:53' x 42'
Recommended border:190'
Recommended mulch:7.5 tons
Weed guard:2,226 sq. ft.
Height:13'

Augmented reality of the playset



This playset features three towers and multiple levels.



30

This tower creates the ultimate backyard playground.



PACKAGE INCLUDES

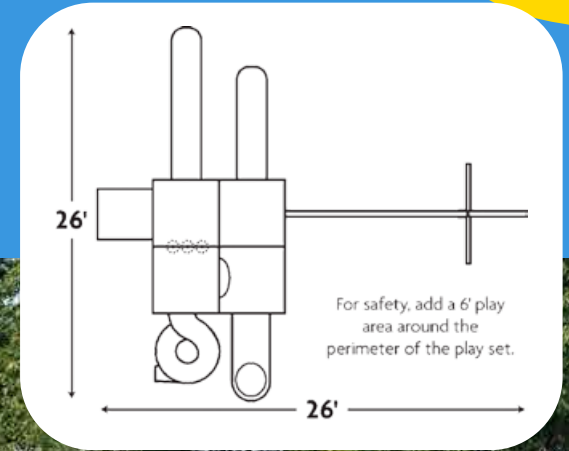
- *Tower 1: Happy Hideout:*
 - 6' x 5' Playhouse on
 - 6' x 8' Deck
 - 5' Deck Height
- *Tower 2: Busy Basecamp:*
 - 5' x 5'
 - 5' Deck Height
- *Tower 3: Discovery Depot:*
 - 5' x 10' Split Level
 - 5' and 7' Deck Heights
- (2) 5' x 5' Vinyl Roofs
- 5' Entrance Ladder
- Grand Entrance Ladder
- 7' Rock Wall
- Gangplank
- 6' Crawl Tube
- Bridge
- 8' High 4-Position Single Beam
- Space Saver Monkey Bar
- 2 Belt Swings
- Trapeze
- Plastic Glider with Single Beam Adapter
- 5' Ripple Rush Slide
- 7' Extreme Ripple Rush Slide
- 7' Super Spiral Slide
- Bubble Panel
- 2 Anchors on the A-Frame

**PACKAGE
INCLUDES A 7'
ROCK WALL,
GANGPLANK, &
SPACE SAVER
MONKEY BAR**

JOLLY JAMBOREE #J88-1

Recommended area for proper installation:38' x 38'
Recommended border:152'
Recommended mulch:5 tons
Weed guard:1,444 sq. ft.
Height:15'

Augmented reality of the playset



This playset features five levels and small ladders to climb from one level to the next.

Package includes a 5' and 7' Ripple Rush Slide on back of set.





★ Some kids are jolly close to the ground, others are jollier closer to the sky!

Package includes a 7' Rock Wall on back of set.

PACKAGE INCLUDES

- Tower: 8' x 8' tower
- 1', 3', 5', 7' & 9' Deck Heights
- (3) 4 x 4 Vinyl Roofs
- 7' Rock Wall
- 8' High 4-Position Single Beam
- 3' Tunnel Express Slide
- 9' Twisty Turbo Slide
- 5' Ripple Rush Slide
- 7' Extreme Ripple Rush Slide
- Trapeze
- Plastic Glider
- 2 Belt Swings
- Tic-Tac-Toe Panel
- Bubble Panel
- 2 Anchors on the A-Frame

With five levels, the Jolly Jamboree is sure to please everyone!

JUST FOR GROWN-UPS

Made from the same quality materials as our playsets, these items are built to last and are virtually maintenance-free! 🦋



6' x 6' with frame and roof.

You and your sweetie will be comfy and swinging in style with this elegant seating solution.

GROWN-UP LOVE SEAT SWING

5' PARK BENCH



Simple and practical, this seating solution will have you asking to be "benched."

Enjoy your vinyl picnic table for a family picnic or birthday party in your own back yard after the kids play on their Adventure World Playset.

Available in 3' x 6' and 3' x 8' (not shown). Available in almond or white.

GROWN-UP PICNIC TABLE



We also offer a **kid-sized** picnic table, perfect for little ones to enjoy outdoor gatherings. Available in 2' x 4'

JUST FOR GROWN-UPS

A special place to relax and enjoy watching the little ones at play! Our swing sets are designed for kids, but this seating is meant just for adults!



EASY RIDER GLIDER



HAMMOCK



WHEELCHAIR SWING WITH FRAME

We also offer these grown-up friendly swings that will attach to your playset!

See page 50 & 51 for more details!

DESIGN YOUR OWN CUSTOM PLAYSET

Online at adventureworldplaysets.com

Our easy-to-use design center helps you create the playset of your dreams. The only limit is your imagination.

1. Visit Adventureworldplaysets.com
2. Click on 3D Design Center.
3. Enter your zip code for 3D Design Center.
4. Design with towers, roofs, and swing beams.
5. Add accessories and colors as desired.
6. To make changes, select an element and click the trash can icon to delete.
7. Use shortcuts for efficiency. (Click the question mark icon).
8. Email a preview and get a quote from a local dealer. (Click the envelope icon).



STEP I: CHOOSE YOUR TOWER UNIT

Choose from single, double and triple towers with single or multiple levels. Plus, we offer a variety of sizes to fit any yard and budget.



BUSY BASECAMP

As shown on pages 9-14
Single level with deck dimensions:

	Deck Height		
	3 ft.	5 ft.	7 ft.
• 4' x 4'	✓	✓	
• 4' x 6'		✓	
• 5' x 5'	✓	✓	✓
• 6' x 6'		✓	



DISCOVERY DEPOT

As shown on pages 15-19
Double level 5' and 7' deck heights & double level 3' and 5' deck heights with deck dimensions:

- 4' x 8'
- 6' x 8'
- 5' x 10'
- Bi-tower



FANTASY FORTRESS

As shown on pages 20-22
Triple level 5' and 7' deck heights with deck dimensions:

- 5' x 14' (2 - 7' deck heights and 1-5' deck height)
- 5' x 14' (2 - 5' deck heights and 1-7' deck height)
- Triple level 5', 7' & 9' deck heights with deck dimensions:
- 5' x 14'

Whether you envision a single-level sanctuary or a multi-tiered marvel, our towers are designed to bring your dreams to life. ✨

FROLIC ZONE



*As shown on page 23
A-Frame 5' deck height*

- 3' x 3' tower
- Rock wall on this set must be the small rock wall

GIGGLE JUNCTION



*As shown on pages 24-25
A-Frame 5' deck height
with deck dimensions:*

- 4' x 4'
- 5' x 5'

The tower sets the stage for your Adventure World Playset, and creates a destination for children's imaginations to run wild. ✨



HAPPY HIDEOUT

As shown on pages 26-29

Playhouse with a single level 5' deck height - 6' x 8' deck

Standard with roof over deck. Also available with or without roof over deck.



IMAGINATION STATION

*As shown on pages 30-31
Tri-tower*

See page 30 for deck dimensions



JOLLY JAMBOREE

As shown on pages 32-33

5 levels, 1', 3', 5', 7' and 9' deck heights with deck dimensions:

• 8' x 8'

STEP 2: CHOOSE YOUR COLORS

Choose your structural beam color and then choose your accent color. Accent and accessory colors –including rock wall rocks– can be mixed upon request at no additional charge**

**Premium colors require an additional charge.

STRUCTURAL BEAM COLORS



STANDARD ALMOND VINYL



STANDARD WHITE VINYL



PREMIUM BROWN VINYL*

WOOD-GRAIN BROWN*

This premium color offers the aesthetic, natural appearance of wood, combined with the easy care of vinyl. Here's what makes this color special:

- Matching brown roof, rails, and brackets are standard
- The same durable, fade-resistant, splinter-free, maintenance-free surface as the standard vinyl
- A wood appearance that blends into natural surroundings, hides dirt, and never requires staining

You can now choose to have red, blue, green, brown, and black poly and brackets on any color vinyl. ✨

ROOF, RAILING & BRACKET COLORS

Standard accent colors for roof, rails and brackets:

- Red, green, blue, black, and brown

Standard accessory colors:

- Most swings are available in blue, green, red or gray;
- Slides are available in blue, green, red or gray; see pages 52 & 53 for details.



GREEN BRACKETS & ACCENT COLOR



BLACK BRACKETS & ACCENT COLOR

When choosing your colors, keep in mind that most swings are available in red, blue, gray or green.



RED BRACKETS & ACCENT COLOR



BLUE BRACKETS & ACCENT COLOR



BROWN BRACKETS & ACCENT COLOR

STEP 3: CHOOSE YOUR ROOF

Adventure World Playsets' long-lasting, poly-lumber roofs resist high winds and are made with recycled HDPE plastics – the kind of plastics found in milk bottles.



The big bad wolf can huff and puff, but he won't blow this roof down!

VINYL PEAK ROOF

Roofs are available in green, red, blue, black or brown.



DOUBLE ROOF

A double roof is a good choice for split-level towers.



EXTENSION ROOF

Another good option for split level towers.



STEP 3: CHOOSE YOUR ROOF

SWING FRAME ROOF

The Adult Love Seat and Wheelchair Swing (pages 34-35) are available with or without a roof.



HAPPY HIDEOUT PLAYHOUSE ROOF

All Happy Hideouts include a standard roof.



STEP 4: CHOOSE YOUR ACCESSES

Tower accesses are available in green, red, blue, black, or brown.

Children build balance and strength as they climb the accesses to their towers.

GANGPLANK

Can be easily exchanged with entrance ladder. 11' long.



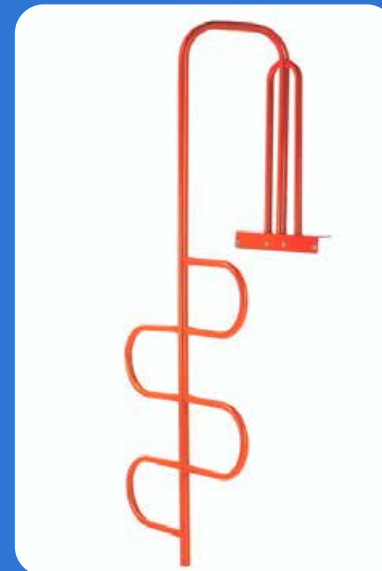
GRAND GANGPLANK

Like our original Gangplank, but featuring railing instead of rope. 11' long.



TREE CLIMBER

Climb your way up on our 3' x 5' tree climber and let the fun begin.



Only available in red

ENTRANCE LADDER

Features nonslip steps and safety rails.



CHAIN LADDERS

Fastens to playset on top and bottom only. This flexibility adds excitement as well as improving balance and strengthens muscles as kids climb.

CHAIN LADDER

For any tower with a 5' deck height and 4' or more wide.



SMALL CHAIN LADDER

A smaller chain ladder, not as wide. Not available for 7' deck heights.



ROCK WALLS

A favorite among kids, rock walls can easily be added to any package. They are 5' or 7' long depending on deck height. Includes rope that is fastened at top and bottom for safety.

Rock wall rock colors of green, red, blue, black, or gray can be uniform or mixed.



ROCK WALL

For 5' or 7' deck heights.



SMALL ROCK WALL

A smaller rock wall, not as wide. Not available for 7' deck heights.



STEP 4: CHOOSE YOUR ACCESSES

Our access options add character to trigger a world of creative adventures!

GRAND ENTRANCE LADDER



Our newest access option allows children to ascend their tower in regal style.



GRAND STAIRCASE



Five platform steps with railing and landing, with rises at approximate 8.5" each.

STEP 5: CHOOSE YOUR CONNECTORS

If your playset has two or more towers, or you're combining two packages, you'll need a connector.

Our crawl tube or bridge options are sure to entertain.

SWING BEAM

The swing beam also serves as a connector if opting for two or more towers.



Brackets are available in green, blue, red, brown, or black.

WOBBLY BRIDGE

8' long



Available in green, blue, red, black, or brown.

CRAWL TUBE

6' long • Also available in 3' long and 9' long



Available in green, blue, red, or gray.

STEP 5: CHOOSE YOUR CONNECTORS



BRIDGE

8' long



CONNECTOR TUBE FOR TWO LEVELS

4½' long



CRAWL TUBE WITH TWO ELBOWS



STEP 6: CHOOSE YOUR SWING BEAM

Consider your swing beam as a blank canvas, waiting to come to life with a variety of swings.

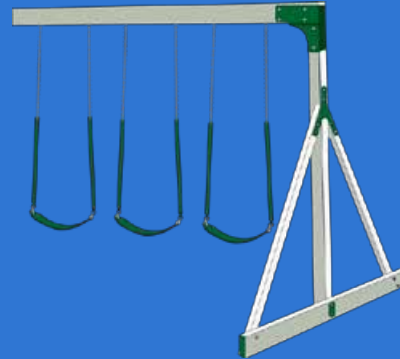
Brackets for all playsets are available in green, blue, red, black, and brown.



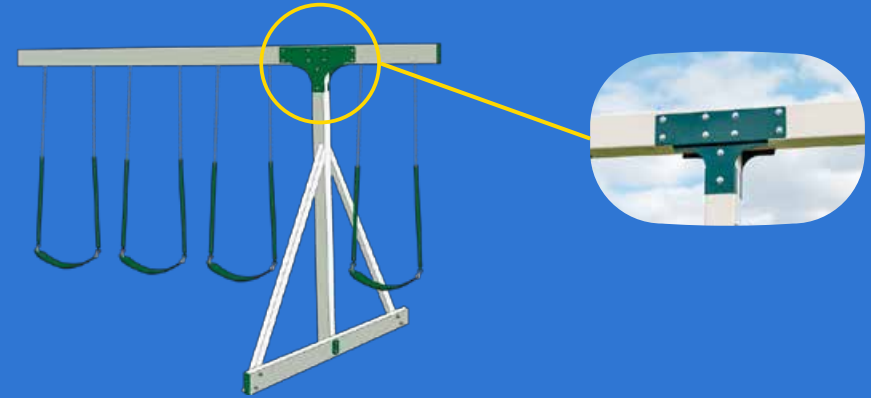
2 POSITION SINGLE BEAM



3 POSITION SINGLE BEAM



4 POSITION SINGLE BEAM



FREESTANDING SWING BEAM



Available in 10' and 8' heights, fitting 2, 3, or 4 positions.

CONNECTOR BEAM ADAPTER

Allows you to extend the length of your set or add a swing beam for use with one of our tire swings!



10' HIGH SWING BEAM

Requires 7' deck height or a longer post for high beam on 5' deck height.



Available in 2, 3, or 4 positions

MONKEY BAR OVERHEAD CLIMBER

A great option for connecting to a tower!

Standard Overhead Climber Height is 8'



SPACE SAVER MONKEY BAR OVERHEAD CLIMBER

10' long, includes vertical ladders on both ends and a bracket to provide support at the center of the climber. Can be attached to any vertical 4 x 4 post.



TRAPEZE RING CLIMBER

Swinging rings challenge kids' coordination. Includes two 1-position accessory arms; chain height is adjustable.

Rings available in green, blue, red, or gray.



LOWER LEVEL SAFETY RAILING

Add lower level railing on the swing side of the tower for extra safety.



ACCESSORY ARMS

Attach to any tower or playhouse to add swings or accessories



STEP 7: CHOOSE YOUR SWINGS

Swing low, swing high toward the sky.



BELT SWINGS



WHEELCHAIR SWING



This swing will take up two swing spots on your swing beam.

BOLT-ON GLIDERS

All require single beam adapters*

PLASTIC GLIDER



VINYL HORSE GLIDER



UNI-GLIDER



BOLT-ON ADAPTER



Built for kids and adults, this glider swing makes a great place for adults to relax while children play.

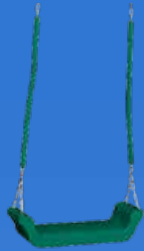


EASY RIDER GLIDER

ADULT SWINGS

ADULT FLAT SWING

19" wide seat.
27" overall.



HAMMOCK SWING

A great place for grown-ups to relax while the children play. Hang from a swing beam, or under a tower.



ADULT LOVE SEAT

Kids love it ... and grown-up kids will too!



BABY SWINGS

HEAVY-DUTY HIGH BACK BABY SWING

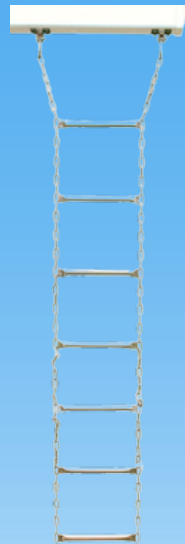


FULL BUCKET



ADDITIONAL OPTIONS

CHAIN CLIMBER SWING



TRAPEZE



TRAPEZE BALL



CYCLONE DISKS



BALL



TIRE SWINGS

Chain Tire Swing with swivel must be capable of 360-degree rotation away from other play equipment and structures in a separate bay, under a bridge or under Happy Hideout and Giggle Junction towers.



3-CHAIN RUBBER TIRE WITH SWIVEL



PLASTIC TIRE WITH SWIVEL



2-CHAIN RUBBER TIRE



4-CHAIN RUBBER TIRE

STEP 8: CHOOSE YOUR SLIDES



All available in green, blue, red and gray.

Slide into Fun: Adventure Awaits!

WONDER WAVE SLIDE

Available in 5' deck height.



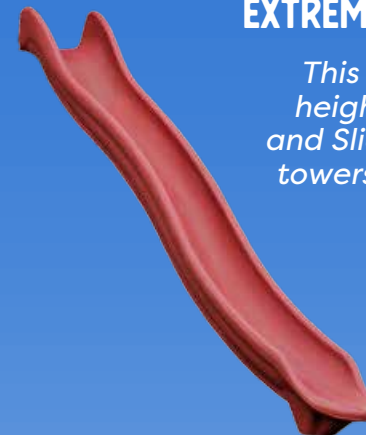
RIPPLE RUSH SLIDE

This slide is our highest grade slide with double wall construction. Available in 3' & 5' deck heights.



EXTREME RIPPLE RUSH SLIDE

This slide requires a 7' deck height and will need a Step and Slide Adapter if choosing towers with a 5' deck height.



TUNNEL EXPRESS

Available in 3', 5', 7', & 9' deck heights.



SIDEWINDER SLIDE

Available in 3', 5', 7', & 9' deck heights.



STEP AND SLIDE ADAPTER

With this accessory, you can make the slide taller for more excitement. Use it with all slides except "Wonder Wave".



TWISTY TURBO TUBE

Rated by kids to be our most fun slide!



7' Deck Height



9' Deck Height

We use only stainless steel bolts to assemble our Twisty Turbo Tube Slides.

SUPER SPIRAL SLIDE

Available in 3', 5', 7', & 9' deck heights



3' Deck Height



5' Deck Height



7' Deck Height



9' Deck Height

*Direction of slide exit can't be changed

CLEAR PANEL FOR TUBE SLIDES



Clear panel shown on 5' Tunnel Express

Clear panels can be added throughout the tube slide, except on the top and bottom sections.



Clear panel shown on 7' Twisty Turbo Slide



For safety reasons, we do not recommend placing a slide exit near swings.

STEP 9: CHOOSE YOUR ACCESSORIES

Ready, set...**accessorize!**

Personalized plaque can say anything you wish! Instead of "Lemonade", perhaps "Ice Cream"

Includes two stools and one personalized plaque.

Chipper's Hideout

PERSONALIZED PLAQUE

Include your ABC or Sign Language panel for more fun and learning!



ABC PANEL

LEMONADE STAND



SIGN LANGUAGE PANEL

Covers have weighted edges to keep them in place. No snaps or Velcro™ trim needed (which get full of sand).

SANDBOX COVER



DETACHED SANDBOX

BUBBLE PANEL



HAND GRIP
Place at any entry point.



FIREMAN'S POLE
*For a 5' deck height
Available in red*



TIC-TAC-TOE PANEL

LOWER DECK

Available in all accent colors.



LOWER DECK WITH RAILING

Available in all accent colors.



PICNIC TABLE

Kids can enjoy a party on their own picnic table.



HIDDEN HUT

Hidden Huts include two window openings, one door opening, and lower deck floor.



PLAYHOUSE BALCONY

Includes second door on playhouse.



EXIT LADDER FOR MONKEY BAR



All sets are designed and constructed for many years of safe use. For safety & comfort reasons, the manufacturer reserves the right to make design & construction changes without notice. Not intended for commercial use.

CHOOSE YOUR FREE ITEM

Choose one of these free items with your playset order.

BINOCULARS



TELESCOPE



STEERING WHEEL



SHIP'S WHEEL



MEGAPHONE



Remember: choose your colors if you haven't done so already; and don't forget rubber mulch (pg. 56) for safety.

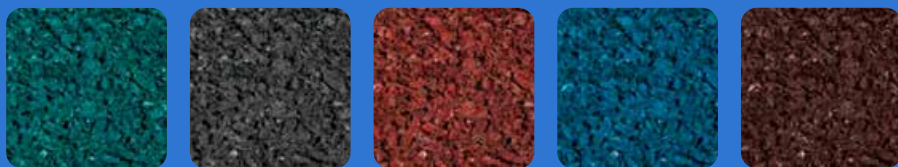


SHUTTERS & FLOWER BOX

RUBBER MULCH, MATS, & CURBING

A shock-absorbing, protective surface is top on the safety checklist for home playgrounds. Adventure World Playsets recommends installing your home playground equipment over rubber mulch to reduce the likelihood of injury from falls. Grass, dirt, carpet, or thin mats are not considered protective surfaces because they lack the ability to absorb shock; concrete, asphalt or other hard surfaces are even more dangerous. Ground-level equipment – such as a sandbox – does not have an elevated play surface, and therefore does not need protective surfacing.

Note: Rubber mulch, mats and curbing are not included in playset packages.

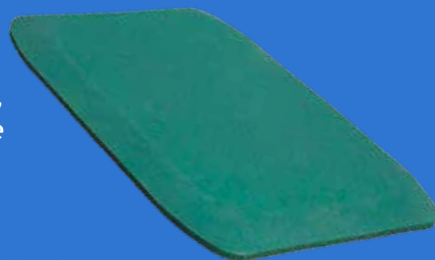


GREEN RUBBER MATS

Green mats help minimize erosion under swings, or at the bottom of slide exits. They provide extra protection for shock absorption.

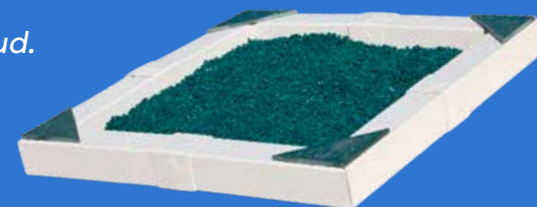
Available in green only

Size: 23" wide x 38" long x 1½" thick with beveled edges

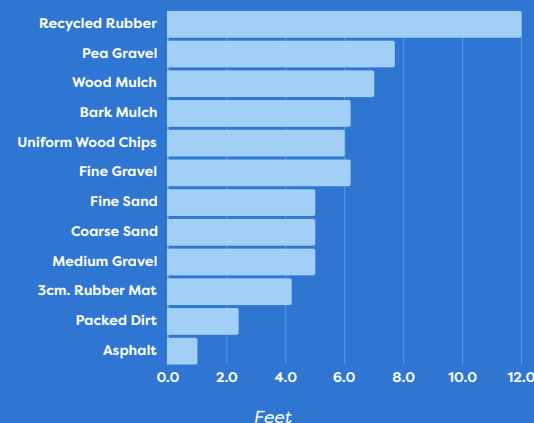


RUBBER MULCH

- Made from 100% recycled tire rubber.
- Non-toxic and meets federal flammability standards.
- Retains cushiony softness year round, and will not freeze.
- Stays in place even in windy conditions.
- Drains and dries quickly after it rains.
- Odor-free, non-staining and non-abrasive.
- Reduces dust and mud.
- Will not rot, attract insects, or promote insect breeding.



SHOCK ABSORPTION OF A FALL



This graph represents comparison findings of playground surface materials – including recycled rubber safety surface material identical to rubber playground mulch, produced by rubber mulch using the same equipment and processes. Study completed using 6 inch depths (except where noted), by the Consumer Products Safety Commission and United States Testing Company, Inc.

CURBS

STANDARD BORDER

- 4" x 4" vinyl sleeve borders.
- Accommodates only square corners; does not allow rounded corners or curves.



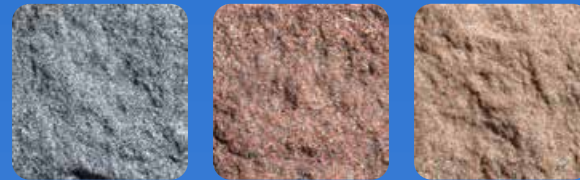
Our 4" x 4" vinyl sleeve border helps keep rubber mulch contained in play area.

Mulch and border availability may vary depending upon what your representative has to offer. Ask your representative for details.

Optional heavy-duty fabric base under the mulch prevents weeds and still allows drainage. Please kill weeds and grass prior to putting down fabric base.

STONE CURBING

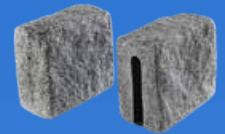
- Faux stone looks like natural stone.
- Easy installation process. Hammer spikes to secure.
- Strong, durable and holds its integrity through the wear and tear of daily life.
- Rust, fade, and corrosion-resistant.
- Made in the USA.



Greystone Cobblestone Sandstone



1 section has 6 connected blocks making it 4 feet long, 4 inches wide, and 6.5 inches tall.



Stop Blocks



Corner Blocks



Start blocks



Why vinyl?

Vinyl offers superior durability and safety as well as easy upkeep. Vinyl is fade resistant, splinter free, doesn't require staining or painting and resists wood boring insects and bees.

What's under the vinyl?

Our premium playsets use pressure-treated lumber covered by heavy-duty walled vinyl. This combines the strength of wood with the easy care and safe, smooth surface of vinyl.

What makes the playsets heavy-duty construction?

In addition to pressure-treated lumber under the vinyl covering, through-bolts and steel angles create heavy-duty corners and all-around construction. Metal powder-coated brackets and stainless steel bolts, screws and chains all resist peeling and rusting.

Can I customize my playset?

Yes! Packages featured in this catalog show our most popular requests, and help you to visualize tower options. You can order a featured package as is, or use packages to get ideas for your custom playset.

Can swings be switched or can we add to the set later?

As your children grow, baby swings can be switched for belt swings or other bigger-kid accessories. At a later date, you can also add swing beams or other features to build out your playset to accommodate changing needs and budget planning.

What do I need to do to prepare for installation?

The customer must provide direct unobstructed access to the installation site. This means any fencing, shrubs, or obstructions must be removed. The customer must also be present to ensure the playset is installed in the correct location.

Is there a risk of the playset tipping over?

Our playsets are heavyweight and will not tip over in normal wind or use. Ground anchors also help secure swing beams firmly in place.

Does my yard need to be level?

*Yes, it does. It must be fairly level to safely accommodate a playset. **The maximum allowable slope is 6 inches for every 20 feet.** You also need to plan to locate your playset a recommended six feet away from any structure or obstacle.*

What type of surface is best for under our playset?

A shock-absorbing, protective surface, such as rubber mulch, is best for reducing the likelihood of injury from falls. Grass, dirt, carpet or thin mats lack the ability to absorb shock; concrete, asphalt and other hard surfaces are even more dangerous.

Are Adventure World Playsets guaranteed?

Our playsets come with a Limited 20-Year Warranty covering defects in workmanship and materials. Slides, swings and accessories are covered by a Limited 5-Year Warranty.

FREQUENTLY ASKED QUESTIONS

CUSTOM SETS DESIGNED BY OUR CUSTOMERS

Despite life's everyday challenges, Adventure World Playsets create laughter and smiles that bring simple pleasures home. Here's a glimpse at some of our customers' back yards, and their custom playset creations.



WHAT OUR CUSTOMERS ARE SAYING...

They were professional and communicated really well. The swing set is excellent quality and my kids love it! My oldest is excited because she can do the monkey bars, my middle loves that the tree house has a door and the windows actually open, and my 1 year old can already climb the ladder!

~ K. Lovitt

Just purchased a swing set from Wyomissing, PA. The quality is terrific and the two workers were fabulous and very knowledgeable about assembling the product. Would highly recommend!

~ C. Albrecht

The best thing about memories is making them. Thank you Adventure World Playsets for helping me make it possible.

~ G. Sandoval

Great people to work with and high quality! Highly recommend, my kids love their new play house!

~ A. McGinnis

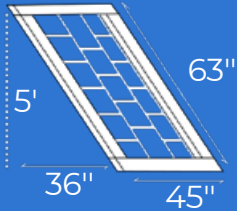
Absolutely amazing quality and service! The dealer worked with me to create exactly what I wanted. Order time was within the expected time frame, delivery and install was very smooth! Highly recommend!

~ C. Damo

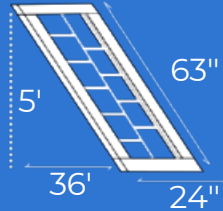
PARTS & DIMENSIONS

ACCESS

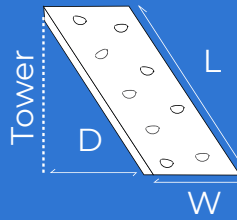
Chain Ladder



Small Chain Ladder

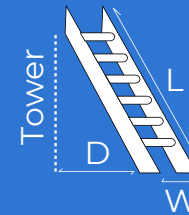


Rockwall



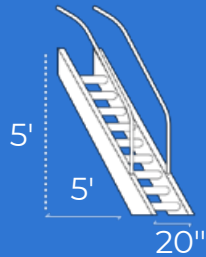
Tower	D	W	L
3'	32"	36"	48"
Small 3'	32"	24"	48"
5'	36"	36"	63"
Small 5'	36"	24"	63"
7'	66"	36"	93"

Entrance Ladder

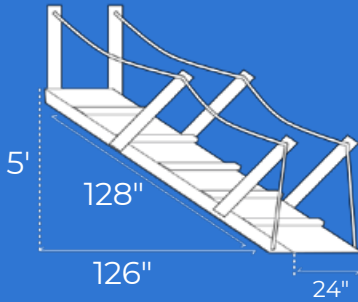


Tower	D	W	L
3'	30"	36"	47"
5'	36"	36"	63"
7'	48"	36"	93"

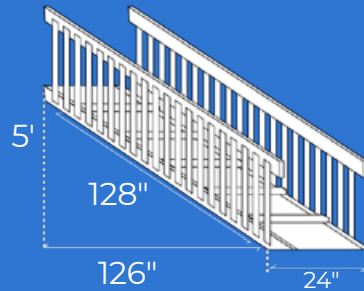
Stairway



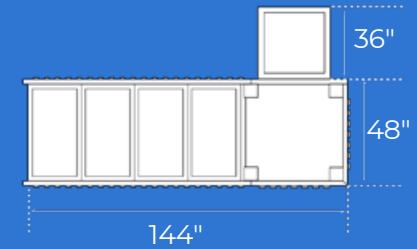
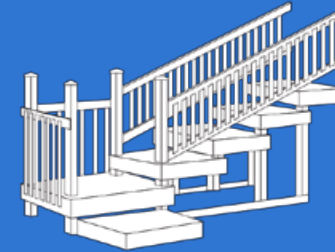
Gangplank



Grand Gangplank

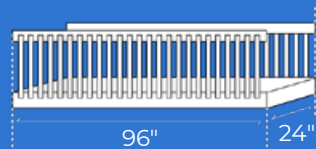


Grand Staircase

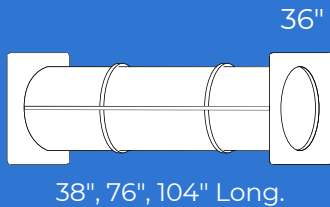


CONNECTORS

Bridge

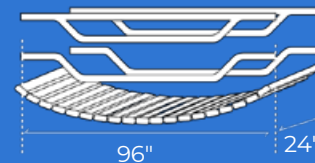


Crawl Tube

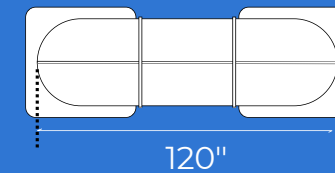


26" Dia. Center

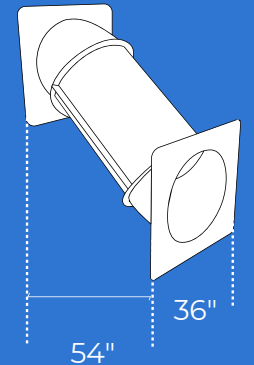
Wobbly Bridge



Crawl Tube With Two Elbows



Multilevel Tube



Swing Beams

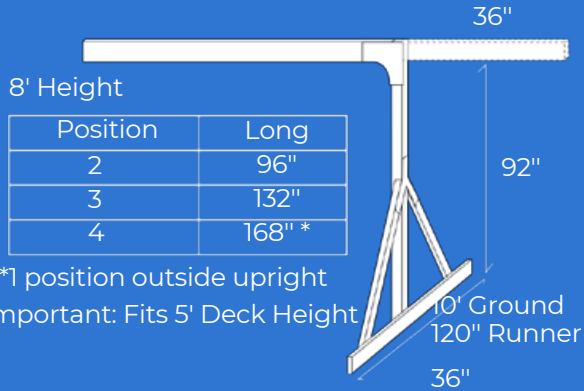


Position	Long
2	96"
3	132"

Monkey Bar



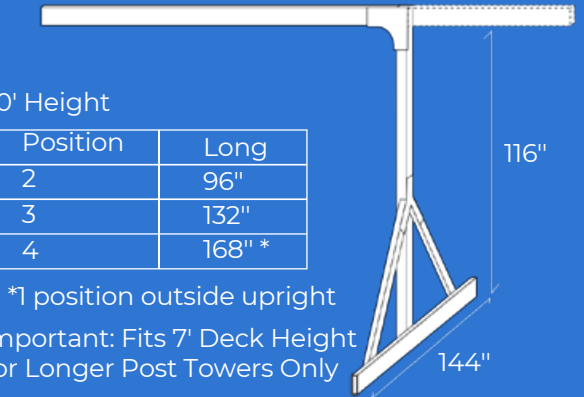
Swing Beams



8' Height

Position	Long
2	96"
3	132"
4	168"*

*1 position outside upright
Important: Fits 5' Deck Height



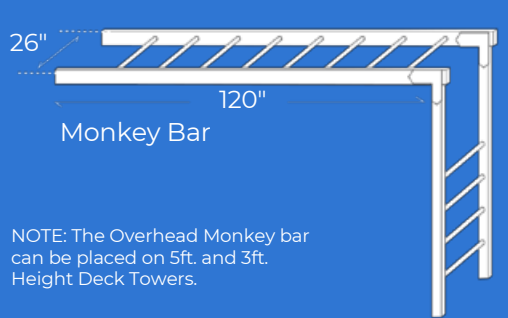
10' Height

Position	Long
2	96"
3	132"
4	168"*

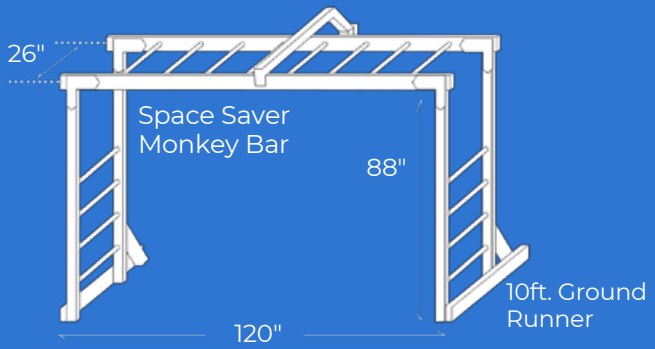
*1 position outside upright
Important: Fits 7' Deck Height or Longer Post Towers Only

•Swing hangers are mounted on beam approximately 18" apart. •NOTE FOR GLIDER: On a single beam, put the glider adapter in the first position next to the tower.

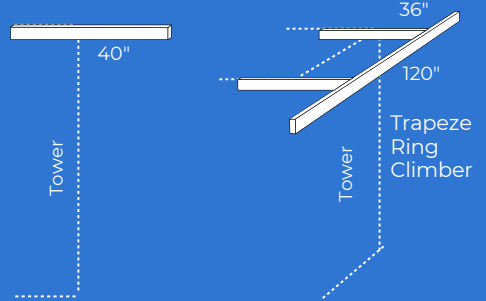
Overhead Climbers



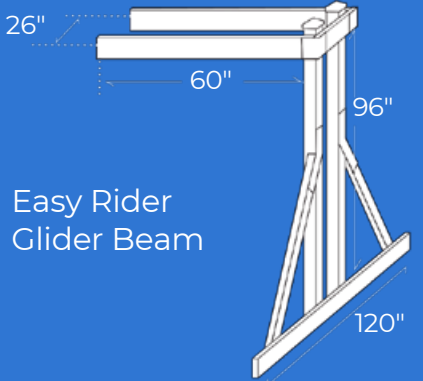
NOTE: The Overhead Monkey bar can be placed on 5ft. and 3ft. Height Deck Towers.



Accessory Arms



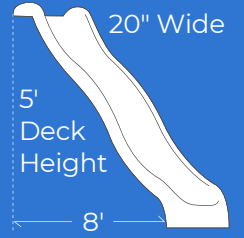
NOTE: Do not mount Accessory arms over gangplanks, bridge, turbo slide or where the swing beam fastens.



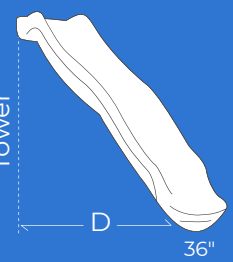
Easy Rider Glider Beam

SLIDES

Wonder Wave



Ripple Rush

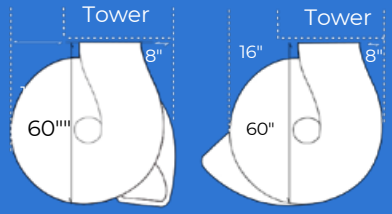
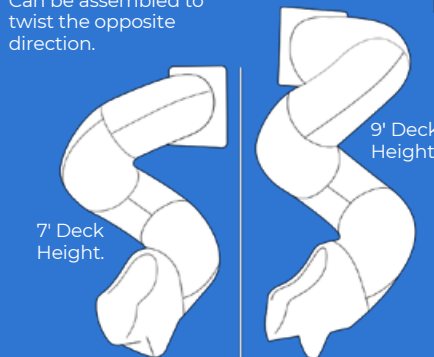


Tower	D	W
3'	6'	25"
5'	8'	25"
7'	12'	25"

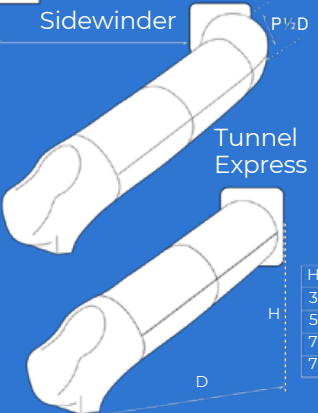
TUBE SLIDES

Twisty Turbo Slide

Can be assembled to twist the opposite direction.



Measurements for Tube Slides

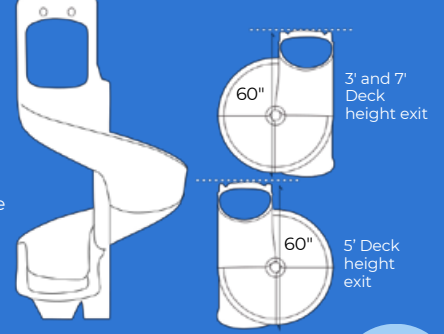


H	D
3'	6'
5'	9'
7'	12'
7'	15'

NOTE: You will need the step and slide adapter to mount a Twisty Turbo, extreme ripple rush slide on any 5' deck high.

NOTE: The tube slide comes past the tower. You do not want to put swings on this side of the tower unless you do not hang a swing on the first position

Super Spiral



THE WAY TO PLAY!



CORPORATE HEADQUARTERS
Adventure World Playsets LLC
9325 S. Georgia St.
Amarillo, TX 79118

MANUFACTURING PLANT
388 Mill Creek Rd.
Bird-in-Hand, PA 17505

We have grown! Adventure World Playsets are now available across the United States and Mexico.

With over 200 dealers in North America, we are here to help you create the ultimate backyard adventure. We proudly offer installation services in all 48 contiguous states, bringing our top-quality playsets to families nationwide.

Visit our website to find a dealer near you and discover why Adventure World Playsets is the top choice for families everywhere.

 Dealer Locations

Follow Us



AdventureWorldPlaysets.com